

IP55 : Suitable for Wet Locations
 IK08 : Impact Resistant (Vandal Resistant)

UTU-10157 Taurus 2 bollard LED

A decorative bollard with a symmetrical light distribution with options of energy saving compact fluorescent, metal halide and high pressure sodium lamps. Developed to compliment the Taurus range of pillar light, light column and wall light luminaires. Designed for various applications including entrances, gardens, precincts and pathways.

Extruded aluminum column and low copper content die cast housing with high corrosion resistance. Stainless steel screws. Durable silicone rubber gasket and clear or opal impact resistant UV stabilized polycarbonate diffuser. Housing is treated with a chemical chromated protection before powder coating, ensuring high corrosion resistance. Integral control gear Anodized high purity aluminum reflector with the clear diffuser option.

Physical Data

Length: 7.32"
 Height: 29.44"/30.9"
 Weight: 18 lbs
 Lamp

40w - 680lm - White - LED ☉

LED Color (Please Specify)

W27 - 2700K
 W30 - 3000K
 W40 - 4000K

Voltage (Please Specify)

120V
 277V
 Other _____

Options (Please Specify)

Color (Please Specify)

01-Black - RAL 9011 02- Dark Grey - RAL 7043
 03-White - RAL 9003 04 - Metallic Silver - RAL 9006
 05-Matt Silver - RAL 9006 07- Custom - RAL _____
 06-Bronze - RAL 6014



Top Style



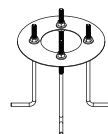
Diffuser



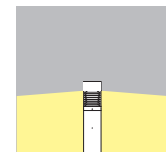
Light Shields



Mounting Accessories



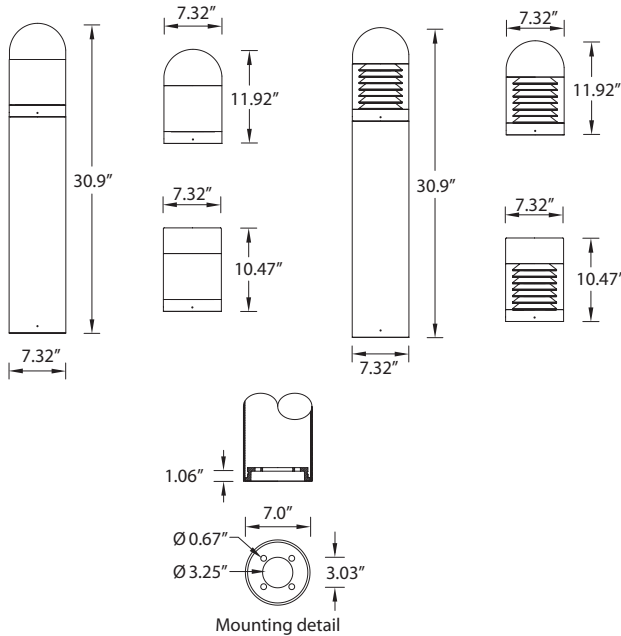
Specify Custom Height _____ ft



(O) Opal Diffuser



(C) Clear Diffuser



Ordering Example : UTU - 10157 - White - 40w - W30 - 120v - Options

PROJECT: _____ DATE: _____

TYPE: _____ QUANTITY: _____ NOTE: _____

Ligman Lighting USA reserves the right to change specifications without prior notice, please contact factory for latest information. Due to the continual improvements in LED technology data and components may change without notice.